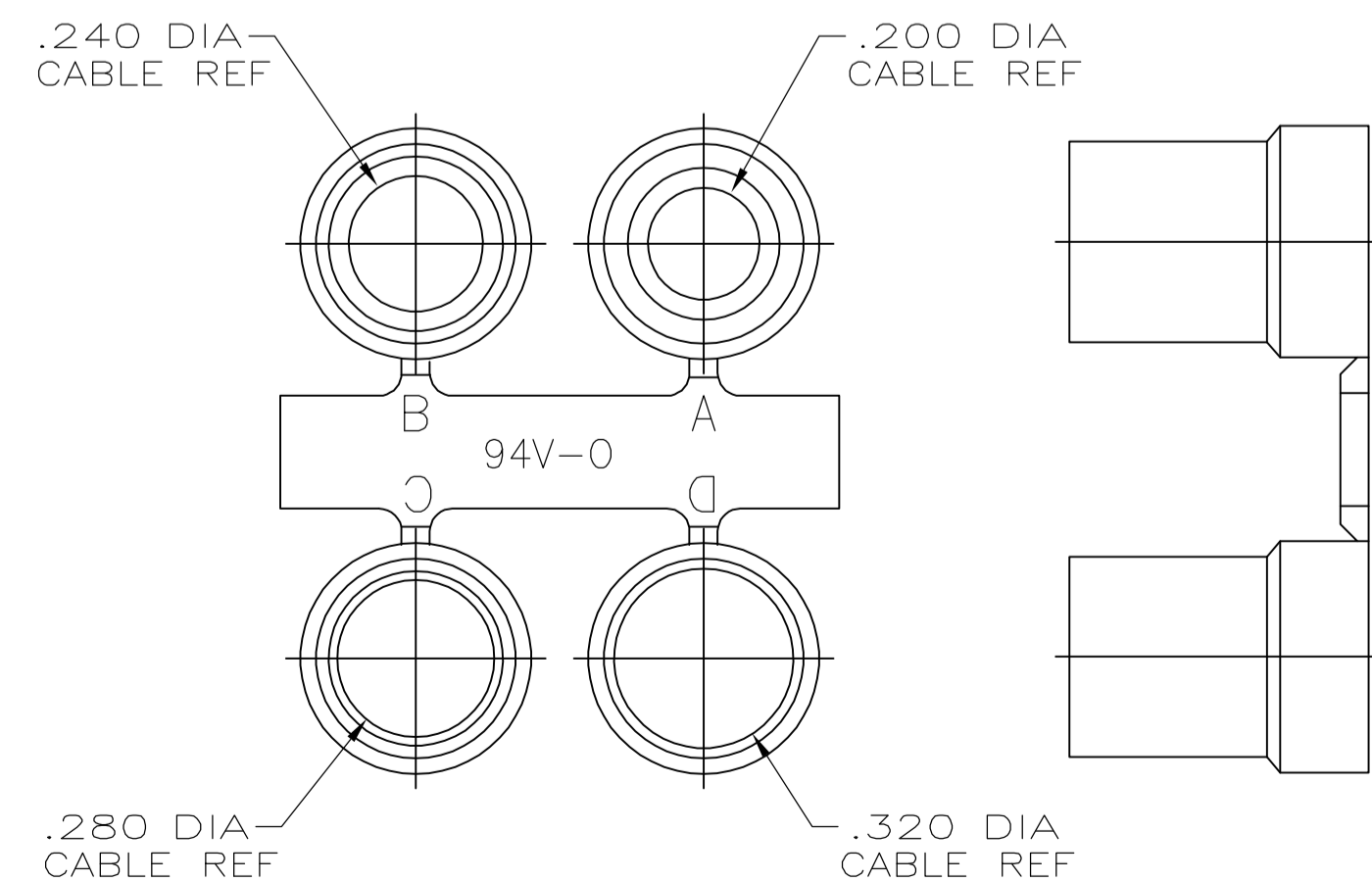
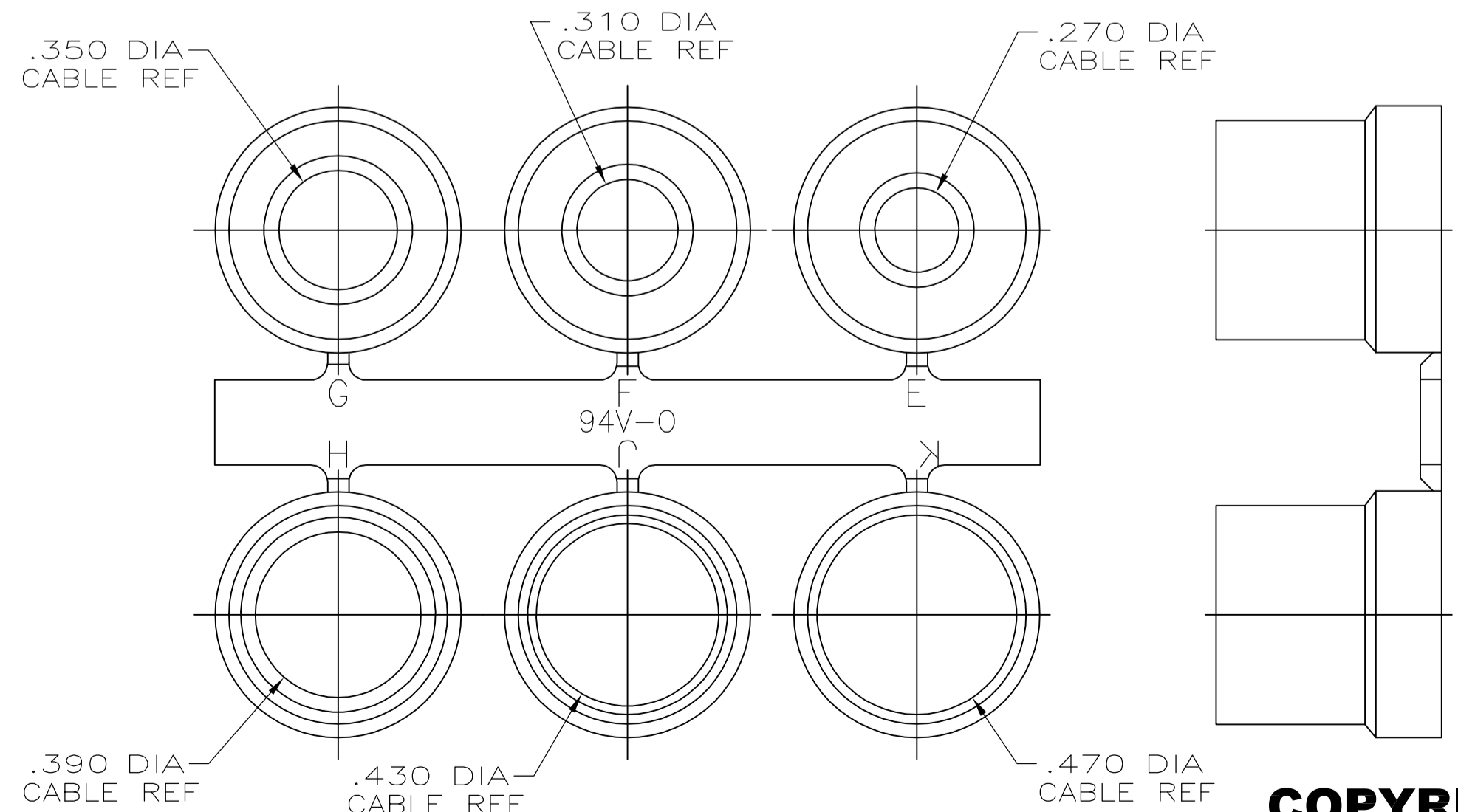


- PARTS PACKAGED UNASSEMBLED AS A UNIT KIT.
- ⚠ CABLE CLAMP HALVES: BLACK ABS MOLDING COMPOUND, FILLISTER HEAD SCREWS, HEX NUTS & MOUNTING SCREWS: STEEL PER ASTM A108, GROMMETS: FLEXIBLE PVC, UL 94V-0 RATED, COLOR: BLACK.
 - ⚠ CABLE CLAMP HALVES: NICKEL OVER COPPER, FILLISTER HEAD SCREWS, HEX NUTS & MOUNTING SCREWS: ZINC PLATED .000200-.000400 THICK, CLEAR CHROMATE COATING.



GROMMET ASSORTMENT FOR SIZES 1 & 2 ONLY



GROMMET ASSORTMENT FOR SIZES 3, 4 & 5 ONLY

| | | | | | | |
|------|------|-------|-------|-------|------|-----------|
| .900 | .730 | 2.644 | 1.920 | 2.406 | 5 | 5748677-5 |
| .800 | .620 | 2.738 | 1.920 | 2.500 | 4 | 5748677-4 |
| .680 | .640 | 2.090 | 1.920 | 1.852 | 3 | 5748677-3 |
| .620 | .620 | 1.545 | 1.910 | 1.312 | 2 | 5748677-2 |
| .570 | .630 | 1.215 | 1.910 | .984 | 1 | 5748677-1 |
| E | D | C | B | A | SIZE | PART NO |

THIS DRAWING IS A CONTROLLED DOCUMENT.

| | | | | | | | |
|--------------------|--|--------------------------|------------------|---|-----------|------------|---------------|
| DIMENSIONS: INCHES | TOLERANCES UNLESS OTHERWISE SPECIFIED: | DIN D. HENNY 8-18-05 | | Tyco Electronics Corporation Harrisburg, Pa 17105-3608 | | | |
| 0 PLC ± - | 1 PLC ± - | CHK C. ROHDE 8-18-05 | | NAME | | | |
| 2 PLC ± - | 3 PLC ± .005 | APVD W. WALMSLEY 8-18-05 | PRODUCT SPEC | KIT, CABLE CLAMP, 180° EXIT, W/GROMMETS AMPLIMITE SERIES, PLATED PLASTIC | | | |
| 4 PLC ± - | ANGLES ± - | | APPLICATION SPEC | | | | |
| MATERIAL | FINISH | | WEIGHT | SIZE | CAGE CODE | DRAWING NO | RESTRICTED TO |
| | | | | A1 | - | ©=5748677 | - |
| CUSTOMER DRAWING | | | SCALE | SHEET | REV | | |
| | | | 3:1 | 1 of 1 | 1 | | |

**COPYRIGHT 2005
 TYCO ELECTRONICS CORP
 ALL RIGHTS RESERVED**